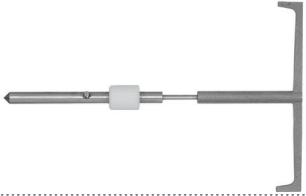
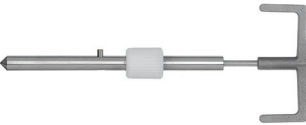






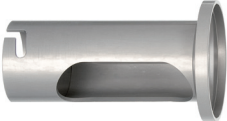




MS-R

Anchor-type measuring systems (316L stainless steel).

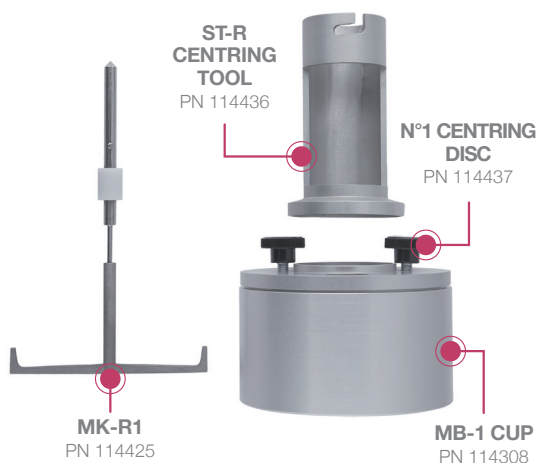
These systems are ideally suited for measuring viscosity (value or curve) in the control or development of heterogeneous products, or having the appearance of soft solid at rest, present in cosmetics, paint, food or mineral chemistry industries. Used with their respective buckets, they allow to apply a shear rate.

*These systems are not compatible with B-ONE / FIRST PLUS and all instruments in LR version.
These systems are compatible with our EVA DIN-MSR and EVA MSR temperature regulation.*

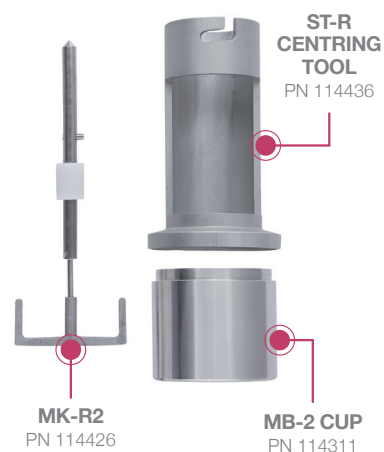
	Name	Part number	Dim. (mm)
	MK-R1	114425	l. 93
	MK-R2	114426	l. 46
	MK-R3	114427	l. 23
	MK-R4	114428	l. 20
	MK-R5	114429	Ø 5
	MB-1 Cup	114308	Ø 98
	MB-2 Cup	114311	Ø 54
	MB-3 Cup	114314	Ø 36
	ST-R centring tool	114436	For centring cups MB-1, 2, 3
	N°1 centring disc	114437	For centring cups MB-1
	MS-R 1-5 in case	111949	Complete system

MS-R 1 measuring system

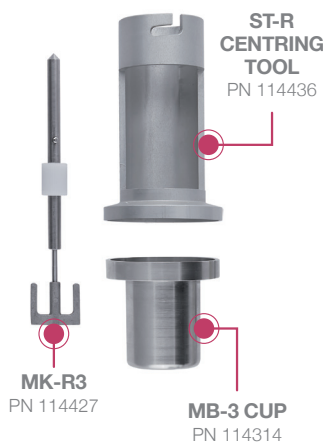
PN 114500

**MS-R2 measuring system**

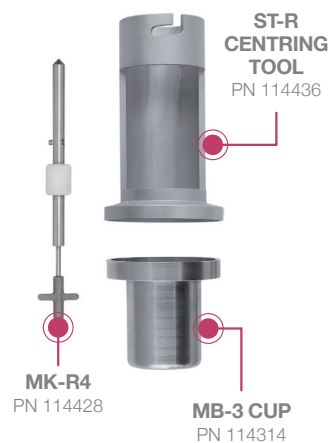
PN 114501

**MS-R3 measuring system**

PN 114502

**MS-R4 measuring system**

PN 114503



COMPLETE MEASURING SYSTEMS WITH BAYONET COUPLING

Designation system	Part Number System	Part Number Complete set ^{d)}	Diameter (mm)		Sample volume (ml)	Shear rate range for RM100/200/DSR500 (s ⁻¹)	Viscosity range for RM100/200/DSR500 (mPa.s)
			inner	outer			
MS-R1 ^{c)}	114500 ^{a)}	111949 111950	93	98	300	200 rpm	1 to 40 UD
MS-R2	114501 ^{a)}		46	54	70	0.105 to 525	12 to 3.6M
MS-R3	114502 ^{a)}		23	36	25	0.09 to 450	72 to 21.6M
MS-R4	114503 ^{a)}		20	36	25	0.075 to 375	400 to 120M
MK-R5	114429 ^{b)}		5			0.03 to 150	1.5K to 475M

M for millions, K for thousand

a) Complete system (bob+cup+centring tool)

b) Only spindle. Can be use with cup MB2 (PN 114311) and MB3 (Pn 114314)

c) Can be used only at 200 rpm and UD result

d) Complete set in case with cup and centring part

All data given in this table are given for information and can be changed according container used for measurement.